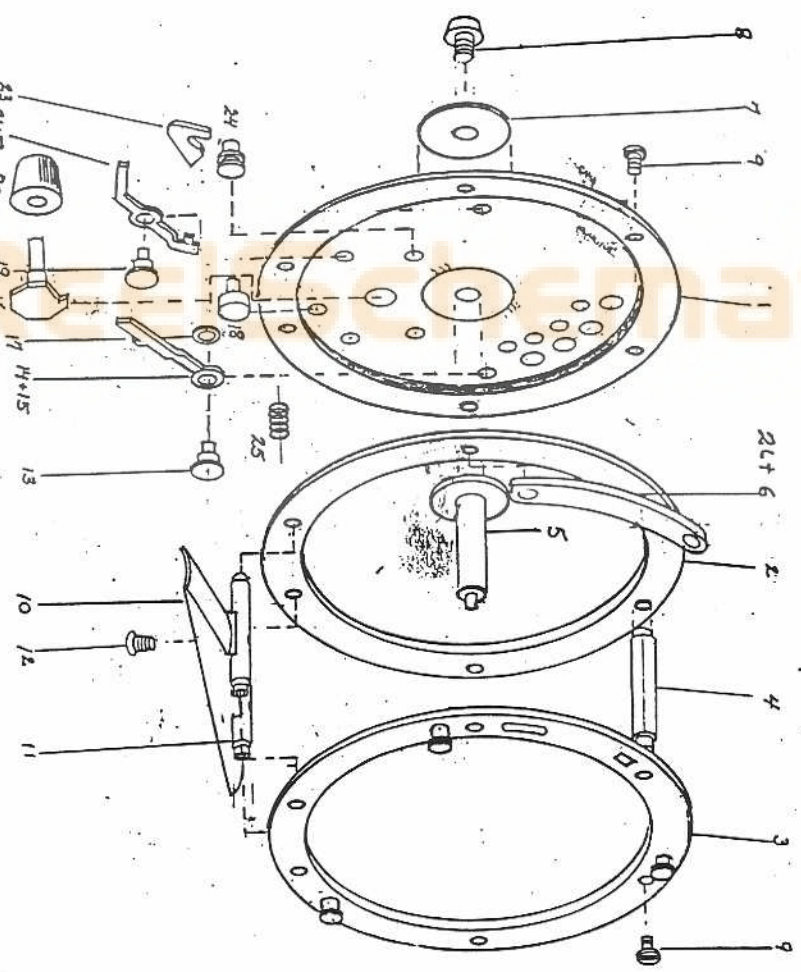


MM-11



1	2	3	4	5	6	7	8	9	10	11	12	13	14	15	16	17	18	19	20	21	22	23	24	25	26	27	28
1	2	3	4	5	6	7	8	9	10	11	12	13	14	15	16	17	18	19	20	21	22	23	24	25	26	27	28
5-1-MM-11 OBL. QUICK	768 LOWER RIM	189 UPPER RIM	608 REEL POST	634 SPINDLE	769 LING GUIDE	774 SPINDLE CAP	835 SPINDLE SCREW	834 P.I.R. SCREW	809 REEL FOOT	820-5 REEL FOOT POST	803-5 REEL FOOT SCREWS	750 REEL STUD	751 RATCHET LEVER	752 CAM	749 STUD WASHER	NUT USED	SAME AS 13	775 CAM KNOB	755 CAM LEVER	755 L CAM LEVER	756 RATCHET	751 RATCHET STUD	510 LEVER SPRING	710 BAYONET LOCK STUD	608 REEL POST		
1	1	1	2	1	2	1	1	10	1	2	2	1	1	1	1	1	1	1	1	1	1	1	1	1	1	1	1
QUAN.	QUAN.	QUAN.	QUAN.	QUAN.	QUAN.	QUAN.	QUAN.	QUAN.	QUAN.	QUAN.	QUAN.	QUAN.	QUAN.	QUAN.	QUAN.	QUAN.	QUAN.	QUAN.	QUAN.	QUAN.	QUAN.	QUAN.	QUAN.	QUAN.	QUAN.	QUAN.	QUAN.

* BLACK